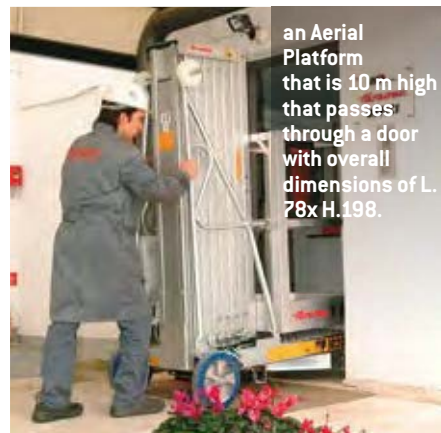


mod. **ZP 200**

self-propelled manual movement at a maximum height of 14 m

**ZP 200**  
THE ONLY PLATFORM  
FOR 2 OPERATORS  
WITH MANUAL  
POSITIONING FOR INDOOR  
AND OUTDOOR USE.



an Aerial Platform that is 10 m high that passes through a door with overall dimensions of L. 78x H.198.



**COD. CA 09**

**Auditorium Kit**

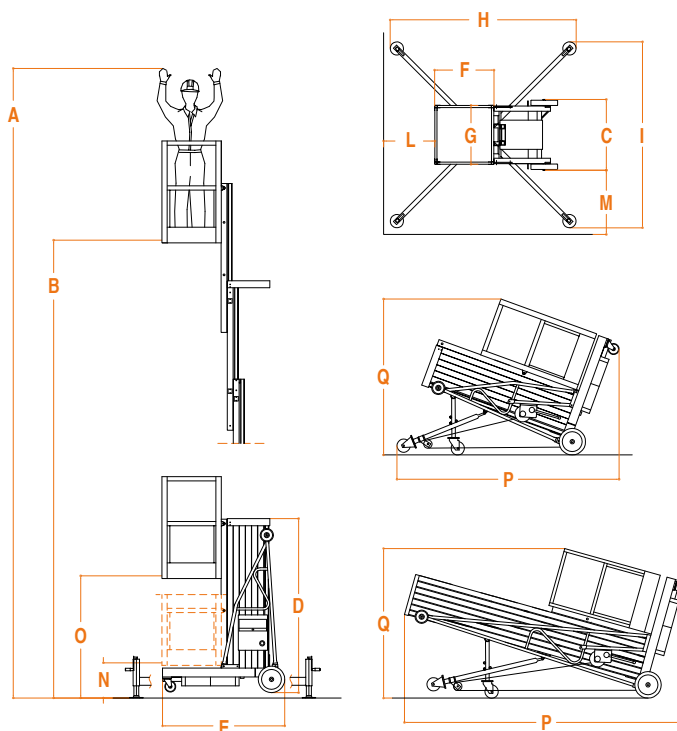




I - internal use  
E - external use

Technical data

	ZP8 200 I	ZP8 200 E	ZP10 200 I	ZP10 200 E	ZP12 200 I	ZP12 200 E	ZP14 200 I	ZP14 200 E		
USE	internal	external	internal	external	internal	external	internal	external	-	-
CAPACITY	200 kg	200 kg	200 kg	200 kg	200 kg	200 kg	200 kg	200 kg	-	-
PEOPLE	2	2	2	2	2	2	2	2	-	-
WEIGHT*	402 kg	414 kg	517 kg	541 kg	554 kg	634 kg	618 kg	686 kg	-	-
A	7,77 mt	7,77 mt	10 mt	10 mt	12 mt	12 mt	14 mt	14 mt	-	-
B	5,77 mt	5,77 mt	8 mt	8 mt	10 mt	10 mt	12 mt	12 mt	-	-
C	800 mm	800 mm	800 mm	800 mm	800 mm	800 mm	800 mm	800 mm	-	-
D	1980 mm	1980 mm	1980 mm	1980 mm	2600 mm	2600 mm	2960 mm	2960 mm	-	-
E	1380 mm	1380 mm	1380 mm	1380 mm	1380 mm	1380 mm	1380 mm	1380 mm	-	-
F	670 mm	670 mm	670 mm <td 670 mm	670 mm	670 mm	670 mm	670 mm	-	-	
G	1060 mm	1060 mm	1060 mm	1060 mm	1060 mm	1060 mm	1060 mm	1060 mm	-	-
H	2100 mm	2550 mm	2100 mm	3000 mm	2550 mm	5000 mm	3000 mm	5000 mm	-	-
I	2100mm	2550 mm	2100 mm	3000 mm	2550 mm	5000 mm	3000 mm	5000 mm	-	-
L	540 mm	730 mm	580 mm	810 mm	810 mm	2050 mm	810 mm	2050 mm	-	-
M	410 mm	600 mm	590 mm	820 mm	820 mm	2040 mm	820 mm	2040 mm	-	-
N	400 mm	400 mm	400 mm	400 mm	-	-	-	-	-	-
O	1380 mm	1380 mm	1380 mm	1380 mm	400 mm	400 mm	400 mm	400 mm	-	-
P	2550 mm	2550 mm	2550 mm	2550 mm	3000 mm	3000 mm	3250 mm	3250 mm	-	-
Q	1800 mm	1800 mm	1800 mm	1800 mm	1700 mm	1700 mm	1700 mm	1700 mm	-	-



ACCESSORIES (All the accessories on p.70)



- (1) AT 10**  
Tractor coupling Kit.
- (2) AT 10.1**  
Power Batteries 12V wit  
Power connection to the  
Tractor.